

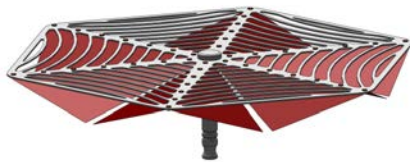


imPULSE from ASI is a single-use mixing system that allows you to mix powder / liquid or liquid / liquid solutions with turnkey simplicity. ASI offers product and process customer support from design to validation.

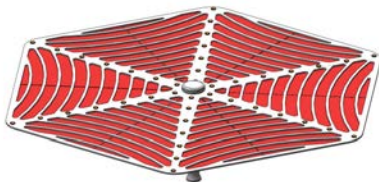
The disc technology is an integrated part of the disposable bag. The shape is engineered with multiple slots and film flaps. Tests have shown this to completely mix through flow measurements at various locations in the mix bag.

The disc is scalable to the size of the unit as the disc or mix plate itself is symmetrically scaled to the size of the tank. This assures consistent mixing across all sizes.

Go to www.asius.com to watch all videos



Upstroke



Downstroke



CONTROL PANEL

- Relay Control Logic with Manual Push Button and Selector Switch Interface
- Hardwired Interlocks
- Power Supply and Circuit Breakers
- Panel Mounted Digital Speed Indicator
- Electrical and Controls Enclosure with Local Disconnect

OPTIONS

- Jacket and Insulation
- Split Tank Design
- Weight Control System (Load Cells)
- Auto Inflate and Vent Control
- 6-Channel Data Logger with Display
- Disposable Process Monitoring
- Conventional Process Monitoring
- PLC
- Peristaltic Pump and Controller Assembly
- Powder Bag Lifting System
- Stationary Powder Bag Hanger
- Seismic Restraint Design

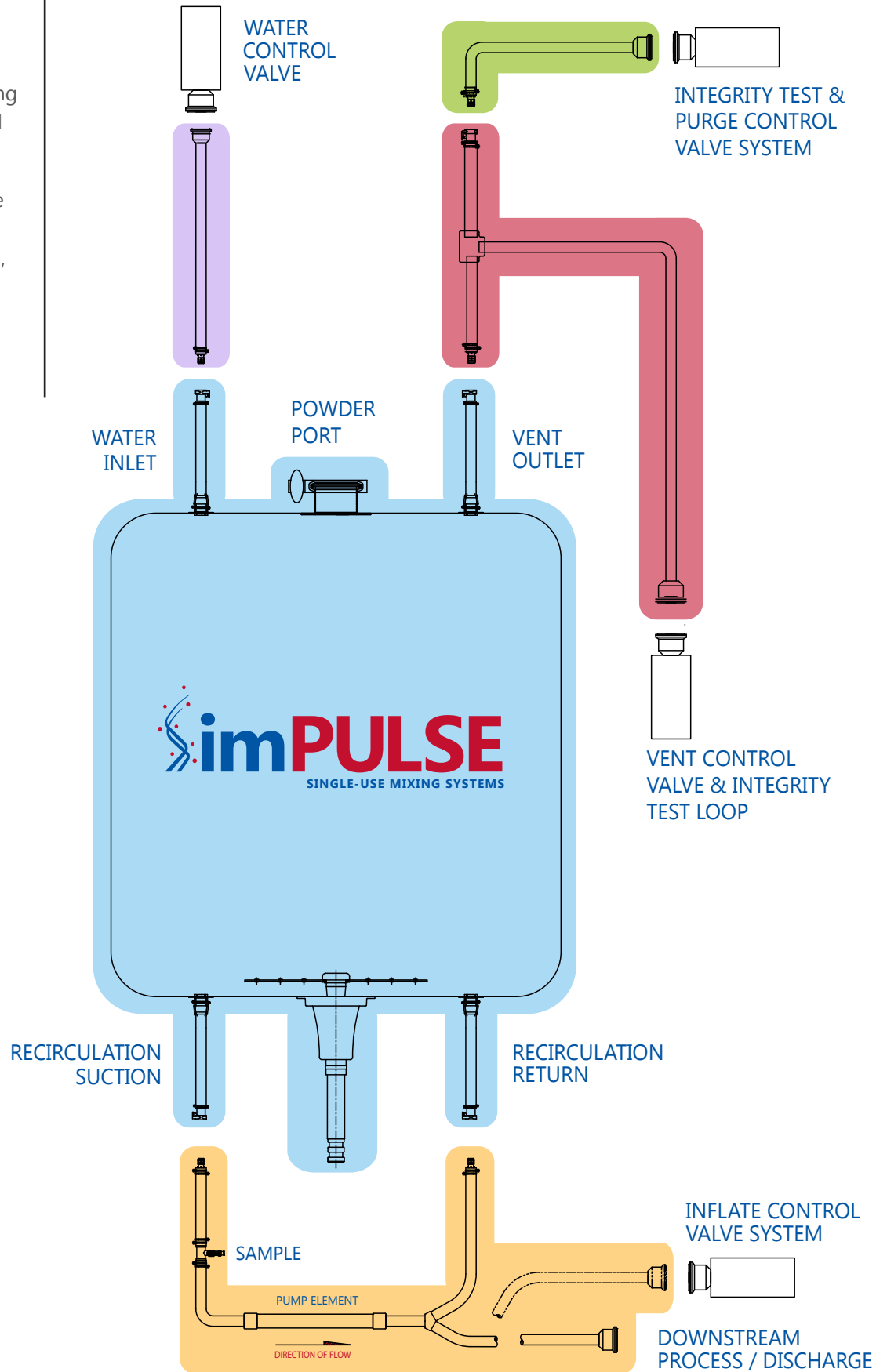
IMPULSE MIXING BAG COMPONENTS

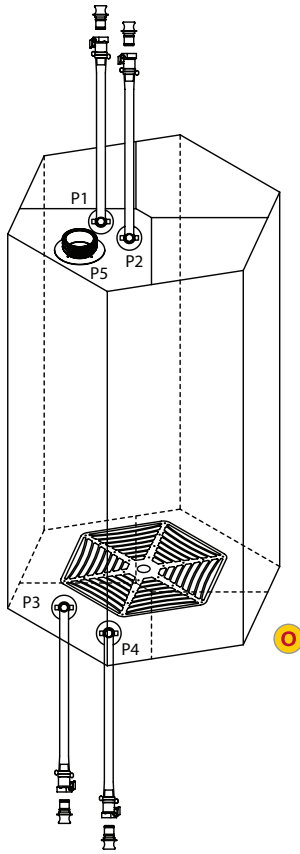
imPULSE MIXING BAG COMPONENTS

ASI offers a standard imPULSE Mixing Bag with four inlet / outlet lines and powder addition port.

In addition, ASI offers standard tube sets to connect imPULSE Mixing Bag for liquid addition, recirculation, inflation and vent control.

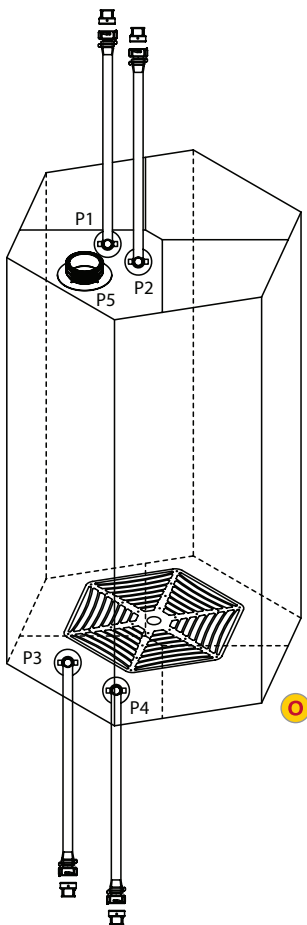
The tube sets are modular and can be customized to best suit your process.





- Port 1: 1/2" ID x 3/4" OD Silicone Tubing (12")
MPX Female + Cap
- Port 2: 1/2" ID x 3/4" OD Silicone Tubing (12")
MPX Female + Cap
- Port 3: 1/2" ID x 3/4" OD Silicone Tubing (12")
MPX Female + Cap
- Port 4: 1/2" ID x 3/4" OD Silicone Tubing (12")
MPX Female + Cap
- Port 5: 3" Tri-Clover Powder Port w/ Gasket, End Cap, and Clamp

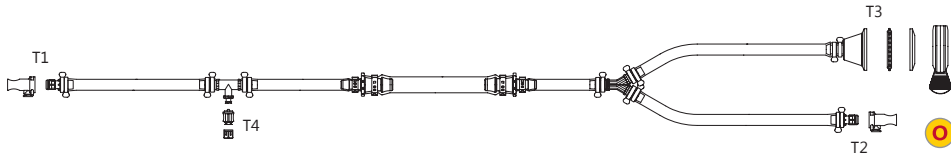
ASI Catalog #	Description
HM00013-I	30 Liters
HM00001-I	100 Liters
HM00007-I	250 Liters
HM00014-I	500 Liters
HM00002-I	750 Liters



- Port 1: 3/4" ID x 1 1/8" OD Silicone Tubing (12")
MPU Female + Cap
- Port 2: 3/4" ID x 1 1/8" OD Silicone Tubing (12")
MPU Female + Cap
- Port 3: 3/4" ID x 1 1/8" OD Silicone Tubing (12")
MPU Female + Cap
- Port 4: 3/4" ID x 1 1/8" OD Silicone Tubing (12")
MPU Female + Cap
- Port 5: 3" Tri-Clover Powder Port w/ Gasket, End Cap, and Clamp

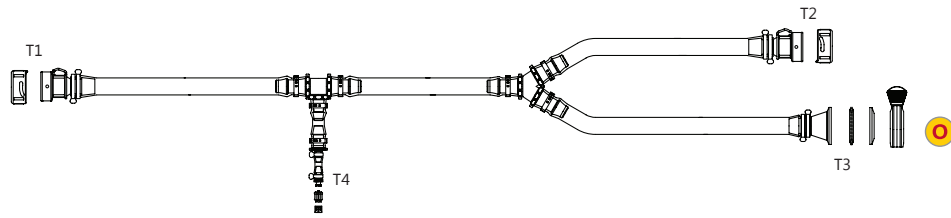
ASI Catalog #	Description
HM00022-I	1,000 Liters
HM00021-I	1,500 Liters
HM00009-I	2,000 Liters
HM00003-I	3,000 Liters

IMPULSE MIXING BAG COMPONENTS



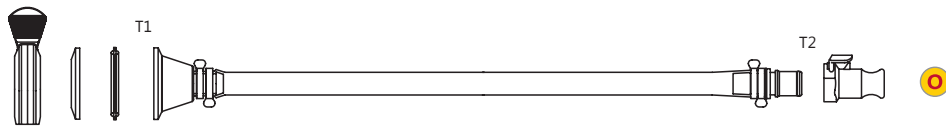
ASI Catalog #	Description
HM00005-I	1/2" Recirculation Tube Set

- Tubing: 1/2" ID x 3/4" OD Silicone Tubing with Size 90 Pharmed BPT Pump Tubing
 T1-T2: MPX Male + Cap
 T3: 1 1/2" Sanitary x 1/2" Barb with Gasket, End Cap, and Push / Pull Clip
 T4: Swabable Sample Port



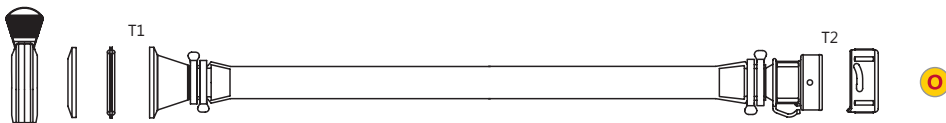
ASI Catalog #	Description
HM00006-I	3/4" Recirculation Tube Set

- Tubing: 3/4" ID x 1 1/8" OD Silicone Tubing with Size 90 Pharmed BPT Pump Tubing
 T1-T2: MPU Male + Cap
 T3: 1 1/2" Sanitary x 3/4" Barb with Gasket, End Cap, and Push / Pull Clip
 T4: Swabable Sample Port



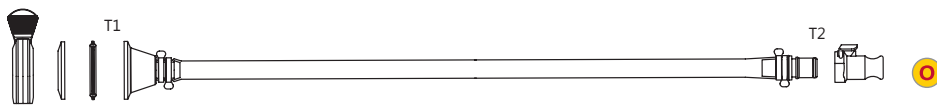
ASI Catalog #	Description
HM00015-I	1/2" Water Fill Tube Set

- Tubing: 1/2" ID x 3/4" OD Silicone Tubing (72")
 T1: 1 1/2" Sanitary x 1/2" Barb with Gasket, End Cap, and Push / Pull Clip
 T2: MPX Male + Cap



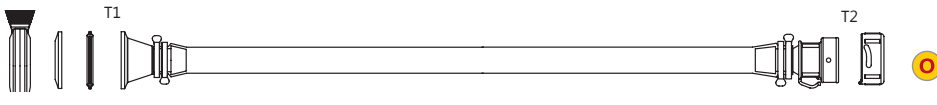
ASI Catalog #	Description
HM00016-I	3/4" Water Fill Tube Set

- Tubing: 3/4" ID x 1 1/8" OD Silicone Tubing (72")
 T1: 1 1/2" Sanitary x 3/4" Barb with Gasket, End Cap, and Push / Pull Clip
 T2: MPU Male + Cap



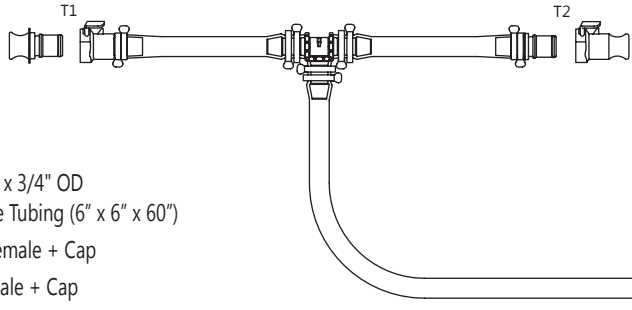
ASI Catalog #	Description
HM00017-I	1/2" Air Inflation & Purge

Tubing: 1/2" ID x 3/4" OD Silicone Tubing (144")
 T1: 1 1/2" Sanitary x 1/2" Barb with Gasket, End Cap, and Push / Pull Clip
 T2: MPX Male + Cap



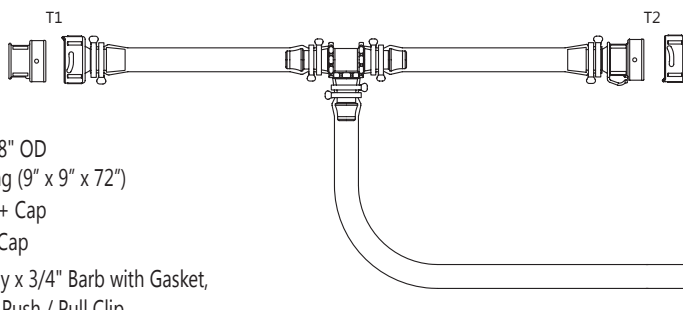
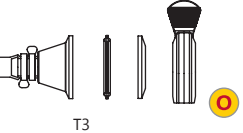
ASI Catalog #	Description
HM00018-I	3/4" Air Inflation & Purge

Tubing: 3/4" ID x 1 1/8" OD Silicone Tubing (156")
 T1: 1 1/2" Sanitary x 3/4" Barb with Gasket, End Cap, and Push / Pull Clip
 T2: MPU Male + Cap



ASI Catalog #	Description
HM00019-I	1/2" Vent Line

Tubing: 1/2" ID x 3/4" OD Silicone Tubing (6" x 6" x 60")
 T1: MPX Female + Cap
 T2: MPX Male + Cap
 T3: 1 1/2" Sanitary x 1/2" Barb with Gasket, End Cap, and Push / Pull Clip



ASI Catalog #	Description
HM00020-I	3/4" Vent Line

Tubing: 3/4" ID x 1 1/8" OD Silicone Tubing (9" x 9" x 72")
 T1: MPU Female + Cap
 T2: MPU Male + Cap
 T3: 1 1/2" Sanitary x 3/4" Barb with Gasket, End Cap, and Push / Pull Clip

